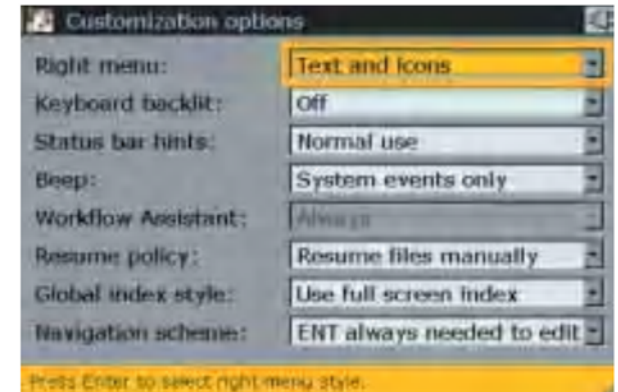
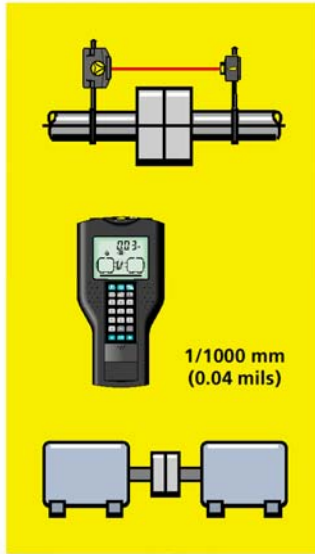
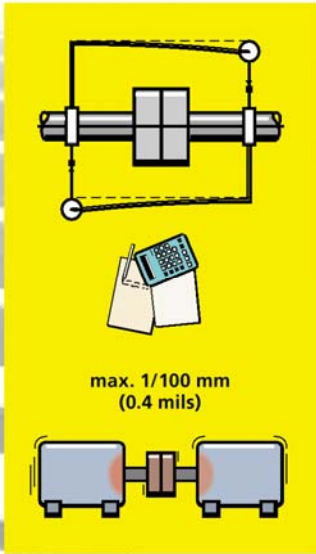
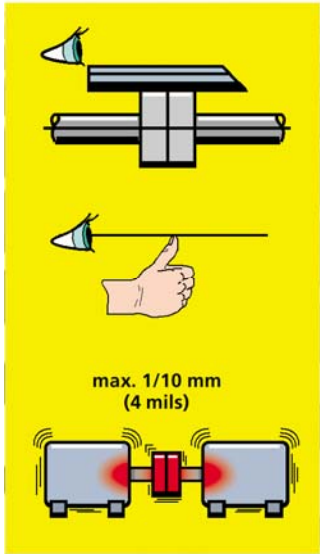


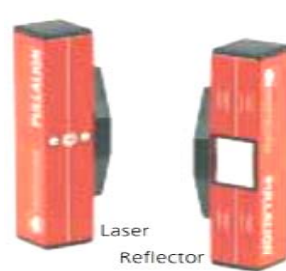
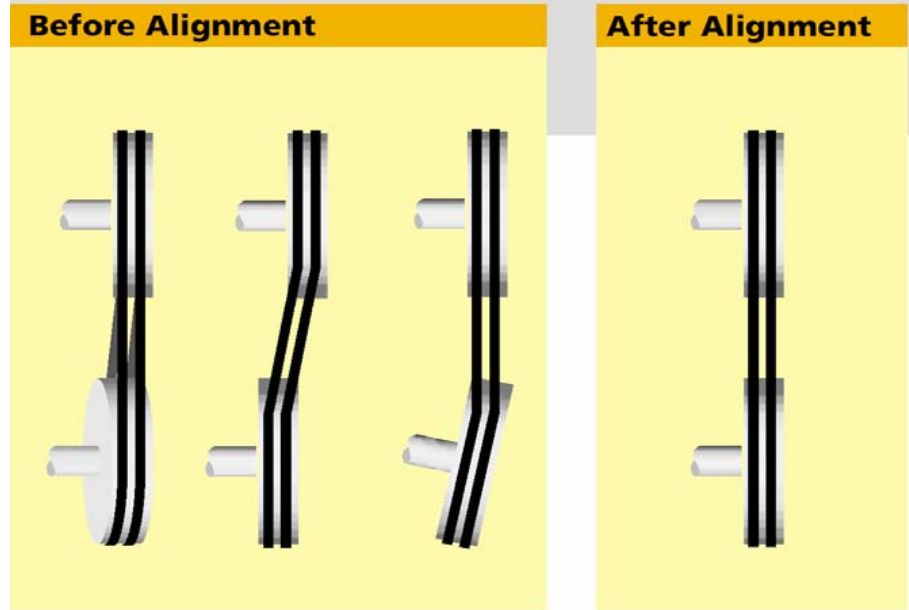
# Alignment Condition Measurement



# Laser Shaft Alignment



# Laser Pulley Alignment



Laser Reflector

Rugged carrying case

